

ATTENTION

This operator's manual should be read carefully before using the pistol!



Important measures when using arms:

All firearms are dangerous objects, they should be used and stored with utmost caution!

Always treat an unloaded weapon as if it were loaded. Never put your finger on the trigger, except when actually firing a shot. Always ensure that the weapon is pointing in a safe direction. Keeping the weapon in perfect condition ensures safety.

Weapons always have to be stored out of the reach of unauthorised persons.

Approved hearing and eye protection has to be used when shooting.

TABLE OF CONTENTS

1	Technical Data	20
2	Operational Readiness – Electronics	21
3	Dry firing mechanism	22
4	Cocking, loading, firing	23
5	Sight adjustment	24
5.1	Moving or exchanging the front sight	24
5.2	Rotating front sight	24
5.3	Rear sight adjustment	25
5.4	Rotating rear sight	25
6	Trigger adjustment	26
6.1	Trigger blade adjustment	26
6.2	Adjusting the trigger pull force	27
6.3	Adjusting the first stage travel	28
6.4	Second stage pressure adjustment	29
7	Adjusting the grip	30
8	Replacing and refilling the compressed-air cylinder .	31
9	Cleaning, care and shooting-performance	32
10	Guarantee clauses	32
11	Parts list	32

1 TECHNICAL DATA

Calibre	4.5 mm (.177)
Overall height of weapon	148 mm
Overall length of weapon	400 mm
Overall width of weapon	50 mm
Total weight of weapon	968 g
Sight length	adjustable from
.....	316 to 365 mm
Front sight	relocatable front
Rear sight	adjustable from
.....	1.5 to 7 mm
Barrel length	233 mm
Maximum filling pressure	200 bar
Electric power supply	Battery Pack
Operating pressure	70 bar

2 OPERATIONAL READINESS – ELECTRONICS

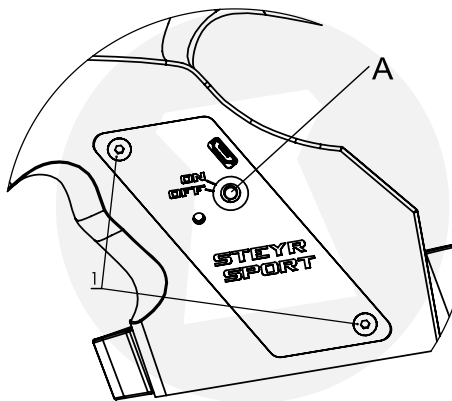
The electronics are switched on by operating the switch (A) until the green light flashes on for one second. The rechargeable battery is in good condition; you can still fire up to 10000 shots. If the red LED flashes briefly when firing, you still have 400 shots left. If it flashes continuously, then 300 shots can still be fired. If the green LED does not light up when switching on, then the battery needs recharging. The electronics are switched off by operating the switch (A) until the red light flashes on for a moment. In order to conserve power, the electronics switch off automatically after 30 minutes of inactivity. To recharge the battery, switch the electronics off and please use the supplied micro USB connector. The green LED stays on until the battery is fully charged. Just 10 minutes of charging are sufficient for approximately 500 shots.

If you **replace the rechargeable battery**, use only an original battery: Remove the grip plate by unscrewing the two screws 1. Remove the circuit board and battery pack from the grip.

Loosen the connector and remove the battery pack. Replace it with a new battery pack. The old battery must be properly disposed of in accordance with the relevant national legislation.

ATTENTION:

When replacing the battery, the electronics must always be switched off and the weapon must always be unloaded. To ensure long-term functionality and safety, rechargeable batteries must be charged at least once every 3 months.



3 DRY FIRING MECHANISM

a) Conventional dry firing (mechanical trigger)

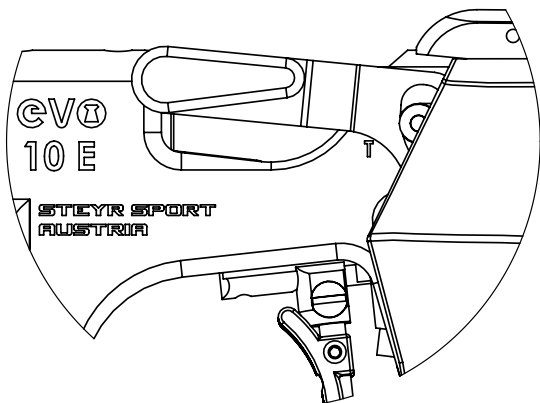
Switch on the electronic unit. The cocking lever has to be pulled backwards to the stop (in the vertical position) and then moved forward again until you feel the first resistance. The letter "T" on the casing is still visible. The mechanism is cocked. Trigger can be tested for shooting, but no compressed air will escape.

b) Dry firing with electronic trigger

Switch on the electronic unit. The system does not need to be cocked for dry firing. Trigger can be tested for real shooting with the cocking lever not fully closed ("T" visible). No compressed air will escape.

Dry firing is also allowed during competition.

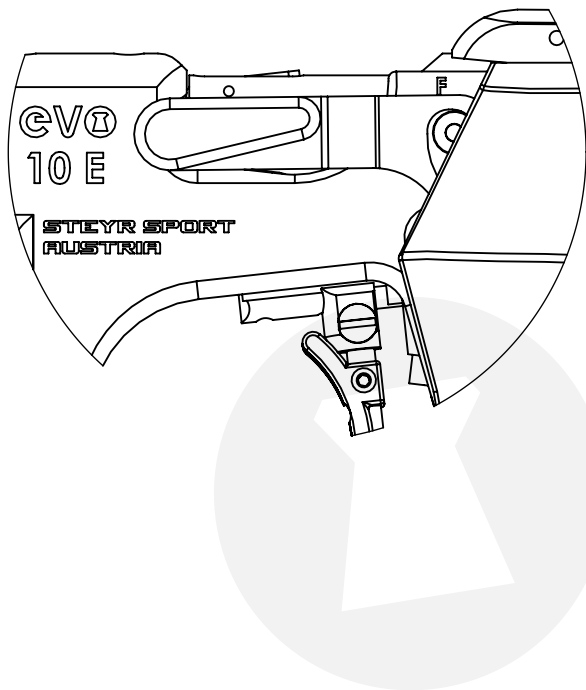
Note: Dry firing is not allowed during the Olympic final!



4 COCKING, LOADING, FIRING

Switch on the electronic unit. Pull back the cocking lever to the stop, this cocks the pistol and opens the loading port.

Insert a Diabolo pellet and fully close the cocking lever again. Only the letter "F" will be visible on the casing (fig.). The pistol is ready for firing.



5 SIGHT ADJUSTMENT

The setscrews have to be turned as follows:

- | | | |
|-----------|---|--|
| High hit | – | turn height-adjusting screw in direction H |
| Low hit | – | turn height-adjusting screw in direction T |
| Right hit | – | turn side-adjusting screw in direction R |
| Left hit | – | turn side-adjusting screw in direction L |

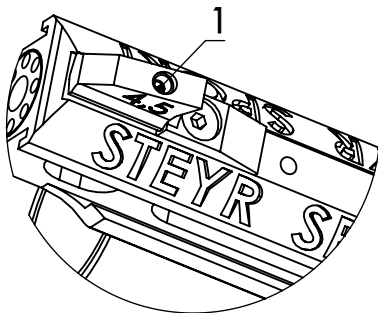
One click of the side-adjusting screw changes the point of impact position by 1.2 mm at a target distance of 10 m.

5.1 Moving or exchanging the front sight

After loosening the countersunk screw the front sight can be moved backwards and forwards or removed.

5.2 Rotating front sight

The front sight can be rotated by opening screw 1.



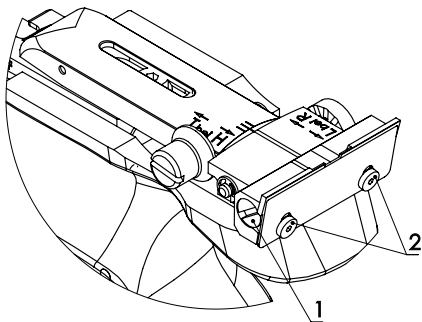
5.3 Rear sight adjustment

The STEYR EVO 10 E is equipped with an adjustable rear sight, this feature enables you to adjust sighting width continuously from 1.5 to 7 mm.

Turning screw 1 counter-clockwise increases the gap between the rear sight plates.

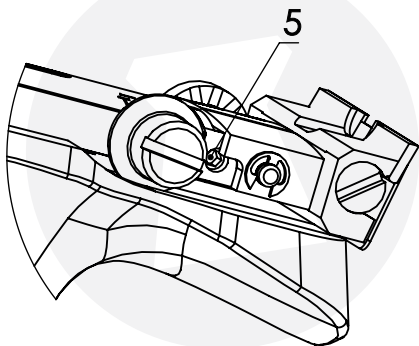
The depth of the gap is continuously adjustable from 1.8 to 2.6 mm.

For this procedure, loosen screws 2. Slide cover plate into desired position and retighten screws.



5.4 Rotating rear sight

The rear sight can be rotated by opening screw 5.



6 TRIGGER ADJUSTMENT

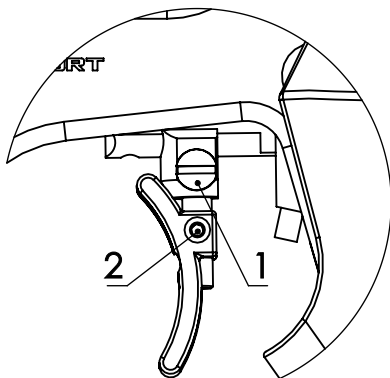
In the factory the trigger adjustments are set in such a way that the trigger pulling force corresponds to the ISSF-shooting rules and a smooth pulling function is ensured. Individual adaptation is possible.

PLEASE NOTE: Before making any changes on the trigger, ensure that the weapon IS UNLOADED.

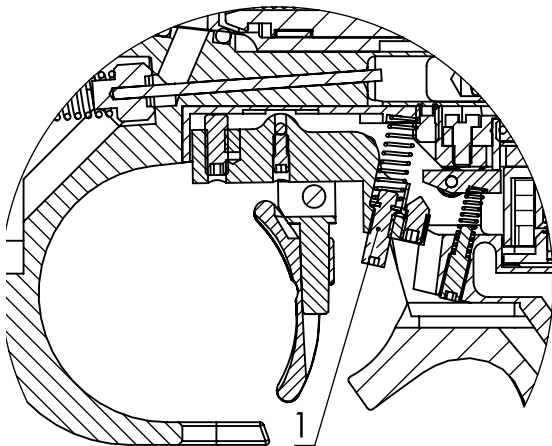
6.1 Trigger blade adjustment

If you loosen countersunk screw 1 you can change the angle and the forward/rear movement of the trigger blade.

If you loosen countersunk screw 2 you can change the rotation and the height of the trigger blade.



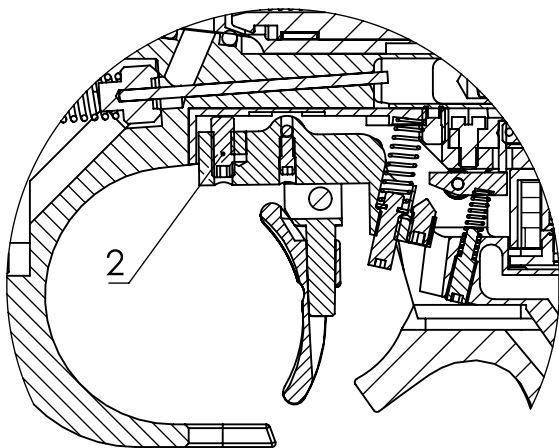
6.2 Adjusting the trigger pull force



Turning screw 1 anticlockwise
reduces the trigger pull force

Turning screw 1 clockwise
increases the trigger pull force

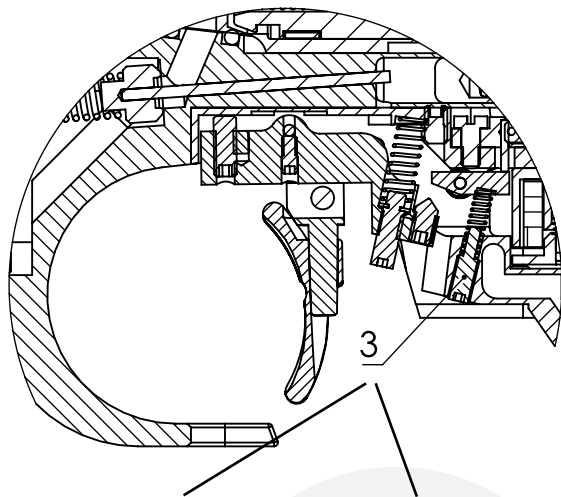
6.3 Adjusting the first stage travel



Turning screw 2 clockwise reduces the dead travel.

Turning screw 2 anticlockwise increases the dead travel.

6.4 Second stage pressure adjustment



Turning screw 3 clockwise increases the second stage pressure

Turning screw 3 anticlockwise decreases the second stage pressure

ATTENTION! The trigger weight at the breaking point has to be at least 60 g to ensure the function!

7 ADJUSTING THE GRIP

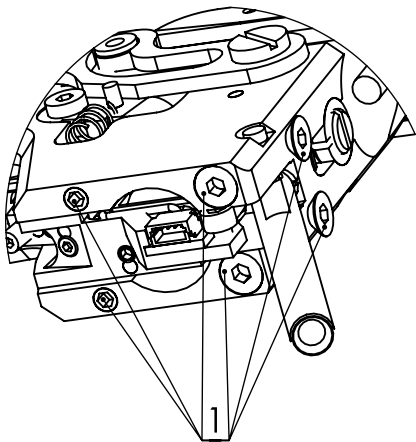
The grip is adjustable and pivotable to the weapon system in all directions and may be widely adapted to the shooter's stance.

The grip can be adjusted after unscrewing the grip and disconnecting the plug connector of the electronics.

Remove the grip plate by unscrewing the two screws. Then take out the electronics and un-

plug the electronics connector. The plug connector on the housing need not be disconnected.

The grip can then be removed and the system screws on the housing can be adjusted.



When you put the weapon system back into the grip, please ensure that the cables are not trapped between the casing and the grip.

ATTENTION:

At maximum offset of the grip, please ensure that the grip does not press against the pistol housing when tightening the grip securing bolt. Risk of splitting or cracking the grip!

Only remove the grip with the electronic unit switched off and weapon unloaded!

Please note implicitly: When mounting the grip on a 1-shot-pistol, put in the plastic plate!

8 REPLACING AND REFILLING THE COMPRESSED-AIR CYLINDER

The compressed-air cylinders must be emptied and safely disposed of 10 years after production date. The production and disposal dates are noted on the compressed-air cylinder.

The legal requirements and rules of the respective country must be adhered to.

The compressed-air cylinder may be unscrewed and removed at any time without being emptied.

Please note that the compressed air cylinder must be screwed fully into place by hand only. No tools may be used.

WARNING: Do not tamper with compressed-air cylinder and valve. It may cause injury!

The compressed-air cylinder is to be charged with a maximum filling pressure of 200 bar. Only use clean and dry compressed air.

For recharging the cylinder proceed as follows:

- Either mount the compressed-air cylinder on a recharging bottle
- Or mount the compressed-air cylinder on a hand pump
- Or mount the compressed-air cylinder on a compressor

9 CLEANING, CARE AND SHOOTING-PERFORMANCE

In standard use the weapon operates maintenance-free and no oiling is required.

The only maintenance required is to slightly grease the O-ring in the loading port and the O-ring at the threaded adapter socket for the compressed-air cylinder with a special lubricant (acid-free silicone grease) every 1000 shots. This will increase the service life of the O-rings.

To clean the barrel shoot some dry (not greased) felt pellets or cleaning strings through the barrel (available at your dealer).

The STEYR SPORT shooting-performance

Our gun barrels are manufactured based on the latest research and using high-quality steel. Our guns are characterised by excellent performance. But the precision is dependent on many other factors. By far the most important factor is the ammunition. Not all gun barrels give the same performance with the same ammunition. There can be significant differences. If the correct ammunition is chosen, we can guarantee outstanding performance of our guns. If you would like to check the precision with fixed barrels, please note that the weapon is only fixed in the area of the solid trigger.

10 GENERAL GUARANTEE CONDITIONS

Please look up our website
www.steyr-sport.com/en/guarantee-conditions

11 PARTS LIST

Please look up our website www.steyr-sport.com